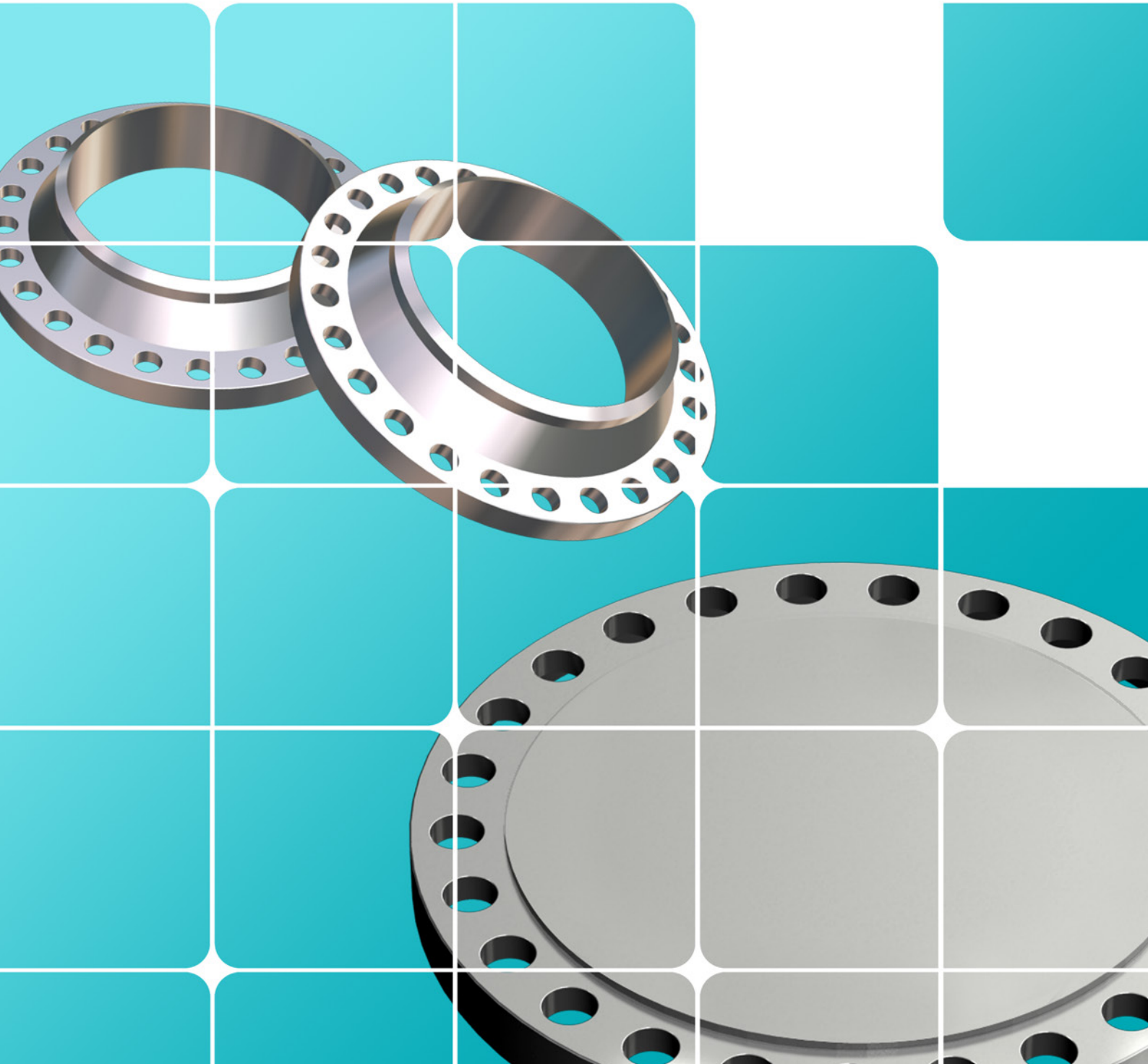
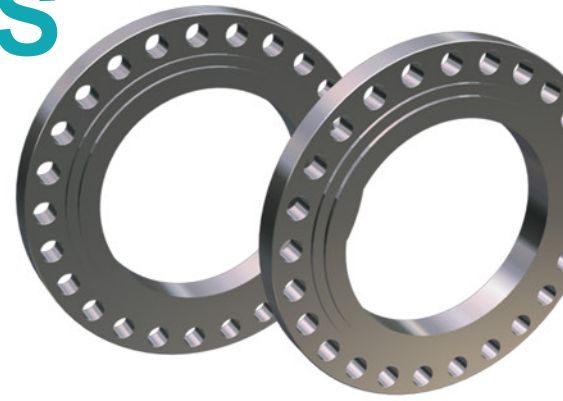
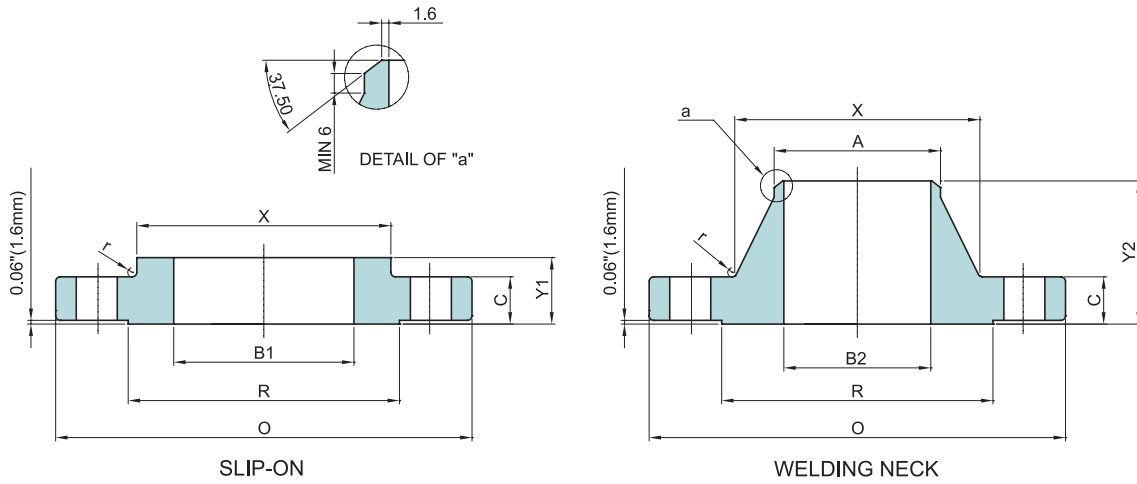


B.S. 3293 FLANGES

- Class 150 Flanges
- Class 300 Flanges
- Class 600 Flanges



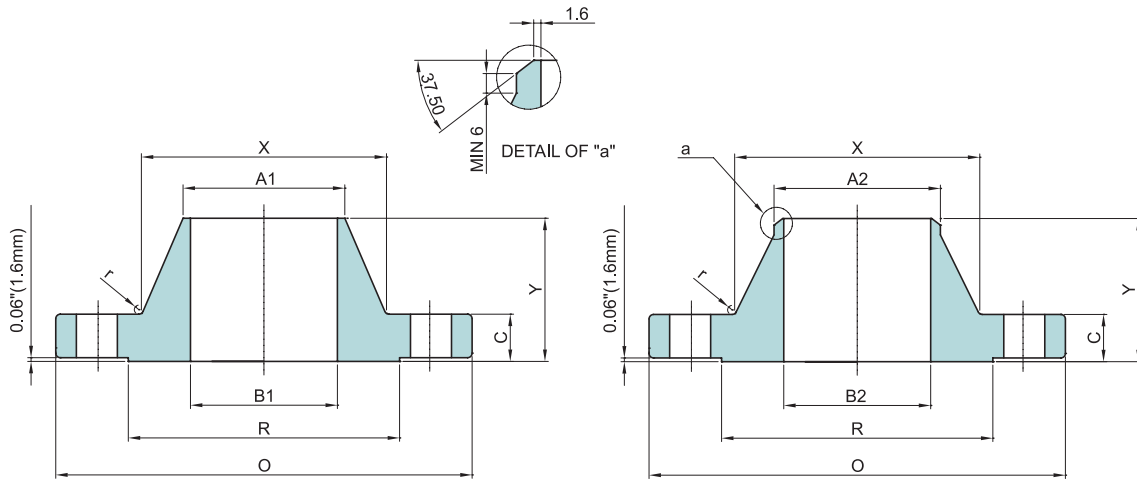
CLASS 150 FLANGES



Unit : mm

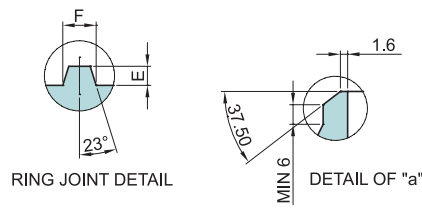
Size	O	PCD	R	C	X	A	Y1	Y2	r	B1	B2	N	H
26	870.0	806.5	740.2	50.8	723.9	660.4	85.7	127.0	6.4	666.8	To be specified by customer.	24	34.9
28	927.1	863.6	793.8	52.4	781.1	711.2	87.3	128.6	6.4	717.6		28	34.9
30	984.3	914.4	857.3	54.0	831.9	762.0	88.9	130.2	6.4	768.4		28	34.9
32	1060.5	977.9	908.1	57.2	889.0	812.8	92.1	133.4	7.9	819.2		28	41.3
34	1111.3	1028.7	958.9	58.7	939.8	863.6	93.7	134.9	7.9	870.0		32	41.3
36	1168.4	1085.9	1022.4	60.3	997.0	914.4	95.3	136.5	7.9	920.8		32	41.3
38	1238.3	1149.4	1073.2	60.3	1060.5	965.2	95.3	136.5	9.5	971.6		32	41.3
40	1289.1	1200.2	1124.0	63.5	1111.3	1016.0	98.4	139.7	9.5	1022.4		36	41.3
42	1346.2	1257.3	1193.8	66.7	1168.4	1066.8	101.6	142.9	9.5	1073.2		36	41.3
44	1403.4	1314.5	1244.6	66.7	1219.2	1117.6	101.6	142.9	11.1	1124.0		40	41.3
46	1454.2	1365.3	1295.4	68.3	1270.0	1168.4	103.2	144.5	11.1	1174.8		40	41.3
48	1511.3	1422.4	1358.9	69.9	1327.2	1219.2	104.8	146.1	11.1	1225.6		44	41.3

CLASS 300 FLANGES



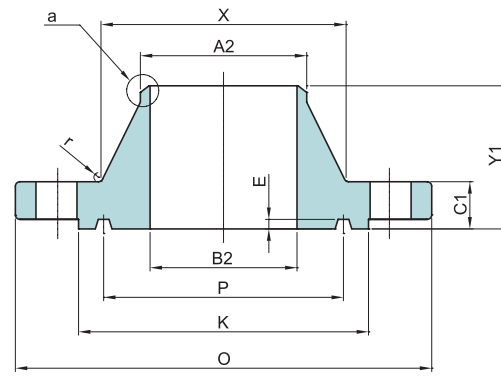
SLIP-ON

WELDING NECK



RING JOINT DETAIL

DETAIL OF "a"

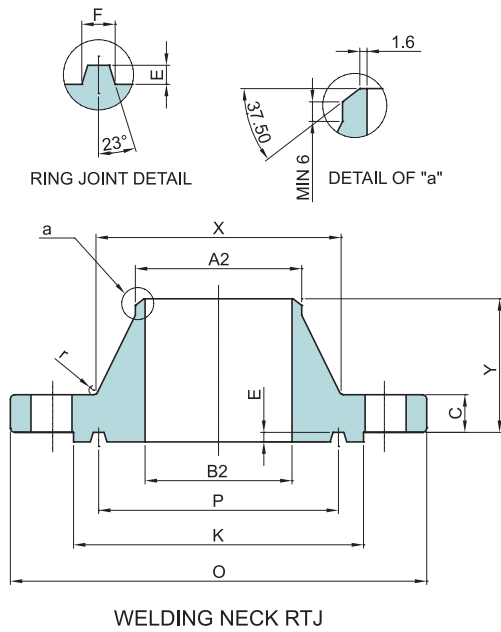
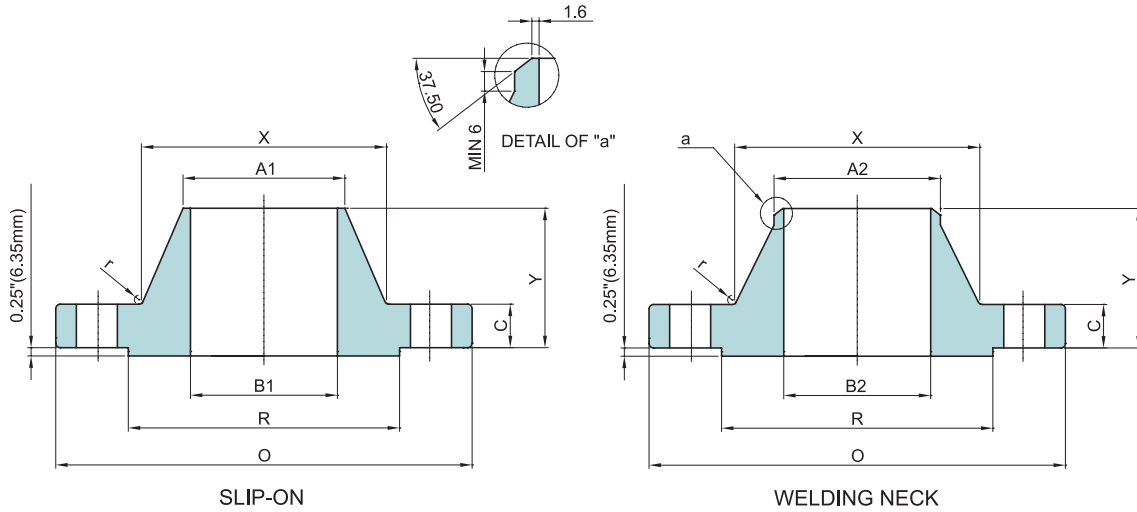


WELDING NECK RTJ

Unit : mm

Size	O	PCD	R	C	C1	X	A1	A2	Y	Y1	r	B1	B2	N	H	P	F	E	K	RING NUMBER
26	971.6	876.3	749.3	79.4	103.2	720.7	687.4	666.8	184.2	182.6	9.5	666.8	To be specified by customer.	28	44.5	749.3	19.8	12.7	809.6	R93
28	1035.1	939.8	800.1	85.7	109.5	774.7	739.8	717.6	196.9	195.3	11.1	717.6		28	44.5	800.1	19.8	12.7	860.4	R94
30	1092.2	997.0	857.3	92.1	115.9	825.5	792.2	768.4	209.6	208.0	11.1	768.4		28	47.6	857.3	19.8	12.7	917.6	R95
32	1149.4	1054.1	914.4	98.4	125.4	881.1	844.6	819.2	222.3	220.7	11.1	819.2		28	50.8	914.4	23.0	14.3	984.3	R96
34	1206.5	1104.9	965.2	101.6	128.6	936.6	896.9	871.5	231.8	230.2	12.7	870.0		28	50.8	965.2	23.0	14.3	1035.1	R97
36	1270.0	1168.4	1022.4	104.8	131.8	990.6	949.3	922.3	241.3	239.7	12.7	920.8		32	54.0	1022.4	23.0	14.3	1092.2	R98

CLASS 600 FLANGES



Unit : mm

Size	O	PCD	R	C	X	A1	A2	Y	r	B1	B2	N	H	P	F	E	K	RING NUMBER
26	1016.0	914.4	749.3	108.0	747.7	706.4	671.5	222.3	14.3	666.8	To be specified by customer.	28	50.8	749.3	19.8	12.7	809.6	R93
28	1073.2	965.2	800.1	111.1	803.3	760.4	723.9	235.0	15.9	717.6		28	54.0	800.1	19.8	12.7	860.4	R94
30	1130.3	1022.4	857.3	114.3	862.0	814.4	774.7	247.7	17.5	768.4		28	54.0	857.3	19.8	12.7	917.6	R95
32	1193.8	1079.5	914.4	117.5	917.6	868.4	825.5	260.4	17.5	819.2		28	60.3	914.4	23.0	14.3	984.3	R96
34	1244.6	1130.3	965.2	120.7	973.1	922.3	877.9	269.9	19.1	870.0		28	60.3	965.2	23.0	14.3	1035.1	R97
36	1314.5	1193.8	1022.4	123.8	1031.9	976.3	928.7	282.6	19.1	920.8		28	66.7	1022.4	23.0	14.3	1092.2	R98